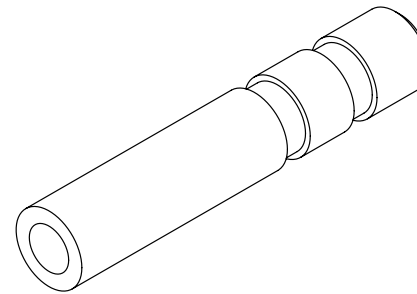
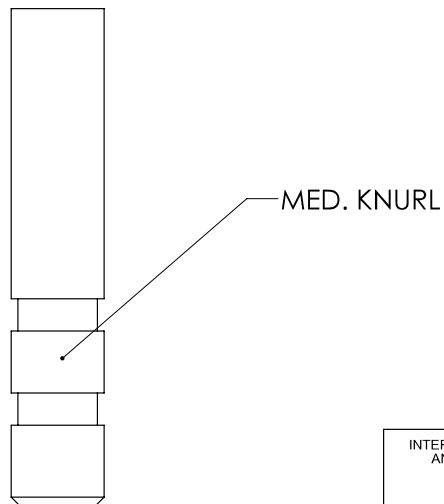
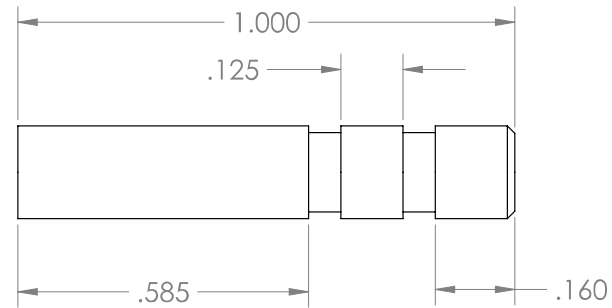
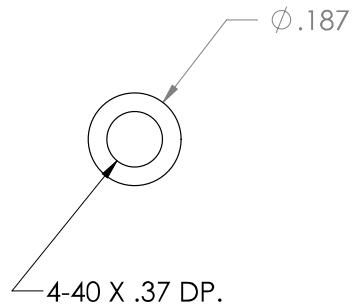


THIS DOCUMENT CONTAINS CONFIDENTIAL PROPRIETARY INFORMATION. DO NOT DISCLOSE TO OR DUPLICATE FOR OTHERS EXCEPT AS AUTHORIZED BY PARASOL AVIATION LTD..

REVISIONS		
REV.	DESCRIPTION	DATE
0	ORIGINAL RELEASE	11-14-95
A	NAME CHANGE; WAS 95-PAR-AV-191	9-20-05
B	MATERIAL CHANGE, WAS 2024-T351	1-10-09

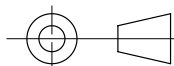


INTERPRET DRAWING PER ANSI Y 14.5 - 1994

UNLESS OTHERWISE SPECIFIED: DIMENSIONS ARE IN INCHES

DO NOT SCALE DRAWING

THIRD ANGLE PROJECTION



TOLERANCES  
inch angle  
.XX = ±.015 X = ±.50°  
.XXX = ±.005

MATERIAL  
6061-T651 ALUM.

FINISH ---

APPROVALS		DATE
DRAWN	R.LEE	11-7-95
DESIGNER	W.LEE	11-5-95
ENG APPR.	W.LEE	11-13-95
MFG APPR.	AV	11-15-95
Q.A.	---	---

*Parasol Aviation Ltd.*



10444 McVine Ave.  
Sunland CA. 91040  
818-352-3322 Phone  
818-352-3085 Fax  
www.parasolaviation.com  
info@parasolaviation.com

SIZE **B** DWG NO. P-001

SCALE SHEET 1 OF 1