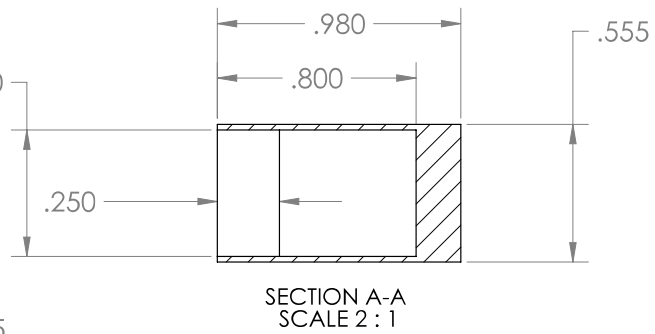
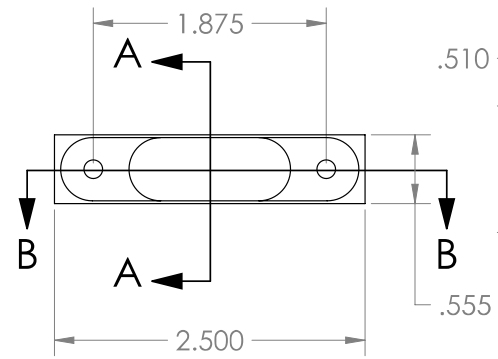
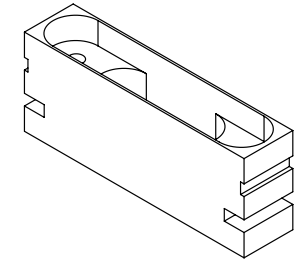
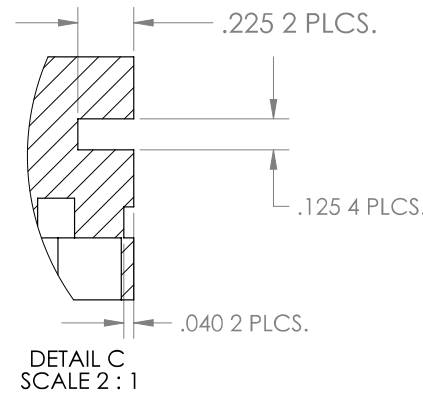
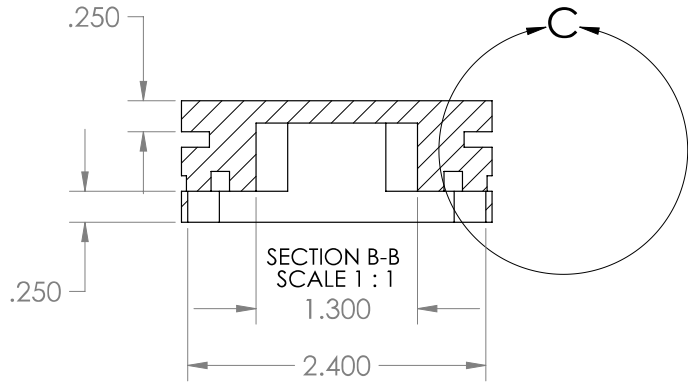


THIS DOCUMENT CONTAINS CONFIDENTIAL PROPRIETARY INFORMATION. DO NOT DISCLOSE TO OR DUPLICATE FOR OTHERS EXCEPT AS AUTHORIZED BY PARASOL AVIATION LTD..

REVISIONS		
REV.	DESCRIPTION	DATE
0	ORIGINAL RELEASE	7-27-05
A	MATERIAL CHANGE, WAS 2024-T351	1-10-09



INTERPRET DRAWING PER ANSI Y 14.5 - 1994	UNLESS OTHERWISE SPECIFIED: DIMENSIONS ARE IN INCHES	DO NOT SCALE DRAWING														
THIRD ANGLE PROJECTION	TOLERANCES inch angle .XX = ±.015 X = ±.50° .XXX = ±.005	APPROVALS	DATE													
		<table border="1"> <tr> <td>DRAWN</td> <td>R.LEE</td> <td>7-26-05</td> </tr> <tr> <td>DESIGNER</td> <td>W.LEE</td> <td>7-26-05</td> </tr> <tr> <td>ENG APPR.</td> <td>W.LEE</td> <td>7-26-05</td> </tr> <tr> <td>MFG APPR.</td> <td>AV</td> <td>7-26-05</td> </tr> <tr> <td>Q.A.</td> <td>---</td> <td>---</td> </tr> </table>	DRAWN	R.LEE	7-26-05	DESIGNER	W.LEE	7-26-05	ENG APPR.	W.LEE	7-26-05	MFG APPR.	AV	7-26-05	Q.A.	---
DRAWN	R.LEE	7-26-05														
DESIGNER	W.LEE	7-26-05														
ENG APPR.	W.LEE	7-26-05														
MFG APPR.	AV	7-26-05														
Q.A.	---	---														
	MATERIAL 6061-T651 ALUM.	SIZE B	DWG NO. HB-203													
FINISH ---		SCALE	DWG REV A													

Parasol Aviation Ltd.

**10444 McVine Ave.
Sunland CA. 91040
818-352-3322 Phone
818-352-3085 Fax
www.parasolaviation.com
info@parasolaviation.com**

SHEET 1 OF 1