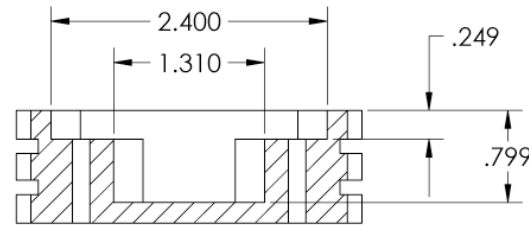
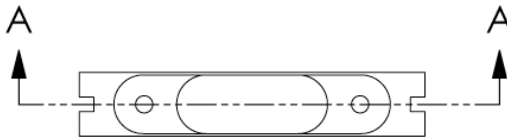
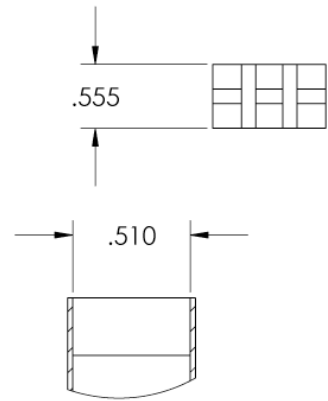


THIS DOCUMENT CONTAINS CONFIDENTIAL PROPRIETARY INFORMATION. DO NOT DISCLOSE TO OR DUPLICATE FOR OTHERS EXCEPT AS AUTHORIZED BY PARASOL AVIATION LTD.

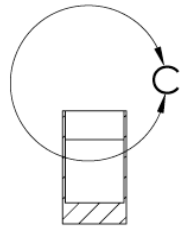
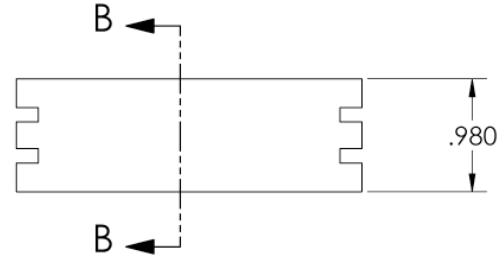
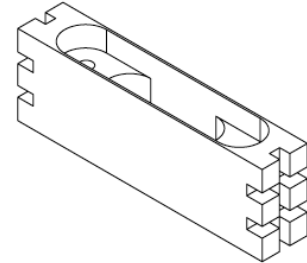
REVISIONS		
REV.	DESCRIPTION	DATE
0	ORIGINAL RELEASE	6-30-03
A	NAME CHANGE; WAS RECTANGLE-2MOD	9-19-05



SECTION A-A
SCALE 1 : 1



DETAIL C
SCALE 2 : 1



SECTION B-B
SCALE 1 : 1

INTERPRET DRAWING PER ANSI Y 14.5 - 1994 THIRD ANGLE PROJECTION 	UNLESS OTHERWISE SPECIFIED, DIMENSIONS ARE IN INCHES TOLERANCES inch angle .XX = ±.015 X = ±.50° .XXX = ±.005 MATERIAL 6061-T651 ALUM. FINISH ---	DO NOT SCALE DRAWING	
		APPROVALS DRAWN R.LEE DESIGNER W.LEE ENG APPR. W.LEE MFG APPR. A.V Q.A. ---	DATE 6-22-03 6-20-03 6-28-03 6-30-03 ---

Parasol Aviation Ltd.

10444 McVine Ave.
Sunland CA. 91040
818-352-3322 Phone
818-352-3085 Fax
www.parasolaviation.com
info@parasolaviation.com

SIZE **B** DWG NO. **HB-202** DWG REV. **A**

SCALE SHEET 1 of 1