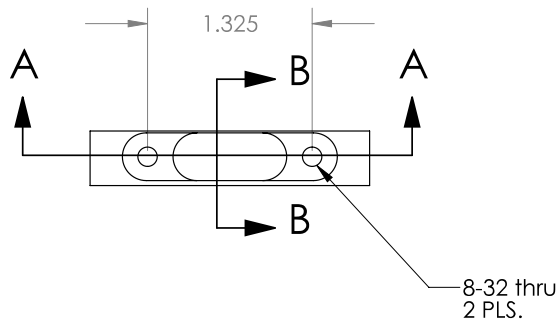
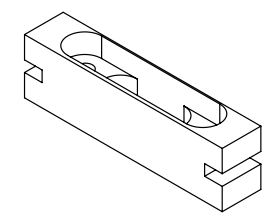
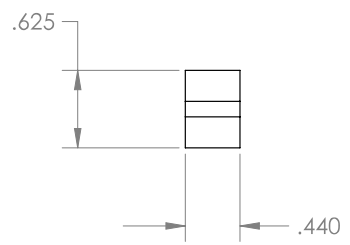
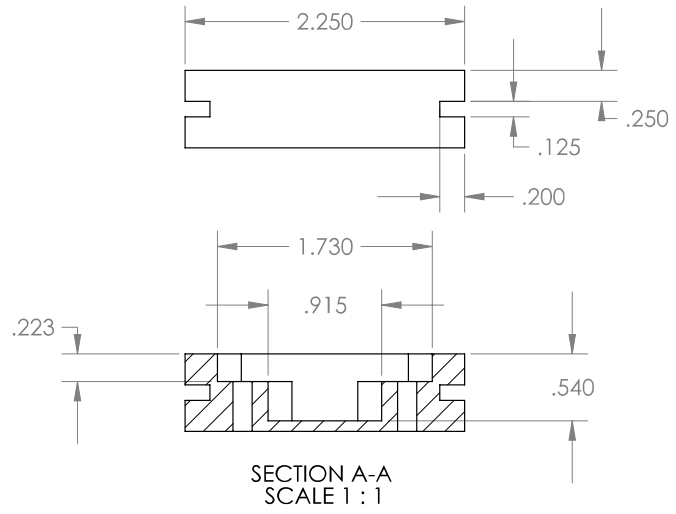


THIS DOCUMENT CONTAINS CONFIDENTIAL PROPRIETARY INFORMATION. DO NOT DISCLOSE TO OR DUPLICATE FOR OTHERS EXCEPT AS AUTHORIZED BY PARASOL AVIATION LTD..

REVISIONS		
REV.	DESCRIPTION	DATE
0	ORIGINAL RELEASE	8/31/2007



INTERPRET DRAWING PER ANSI Y 14.5 - 1994	UNLESS OTHERWISE SPECIFIED: DIMENSIONS ARE IN INCHES	DO NOT SCALE DRAWING														
THIRD ANGLE PROJECTION	TOLERANCES inch angle .XX = ±.015 X = ±.50° .XXX = ±.005	APPROVALS	DATE													
		<table border="1"> <tr> <td>DRAWN</td> <td>R.LEE</td> <td>9/3/2007</td> </tr> <tr> <td>DESIGNER</td> <td>W.LEE</td> <td>8/31/2007</td> </tr> <tr> <td>ENG APPR.</td> <td>W.LEE</td> <td>8/31/2007</td> </tr> <tr> <td>MFG APPR.</td> <td>AV</td> <td>8/31/2007</td> </tr> <tr> <td>Q.A.</td> <td>---</td> <td>---</td> </tr> </table>	DRAWN	R.LEE	9/3/2007	DESIGNER	W.LEE	8/31/2007	ENG APPR.	W.LEE	8/31/2007	MFG APPR.	AV	8/31/2007	Q.A.	---
DRAWN	R.LEE	9/3/2007														
DESIGNER	W.LEE	8/31/2007														
ENG APPR.	W.LEE	8/31/2007														
MFG APPR.	AV	8/31/2007														
Q.A.	---	---														
MATERIAL	6061-T651 ALUM	SIZE	B													
FINISH	---	DWG NO.	HB-103													

**Parasol Aviation Ltd.**

10444 McVine Ave.  
Sunland CA. 91040  
818-352-3322 Phone  
818-352-3085 Fax  
www.parasolaviation.com  
info@parasolaviation.com

SCALE

SHEET 1 OF 1