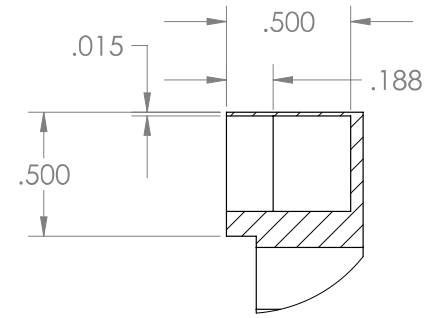
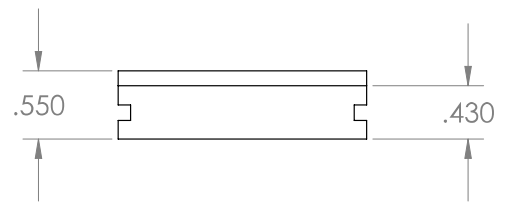
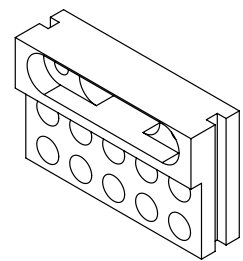
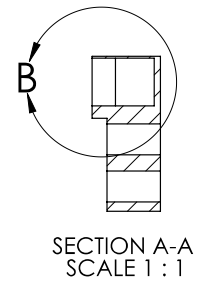
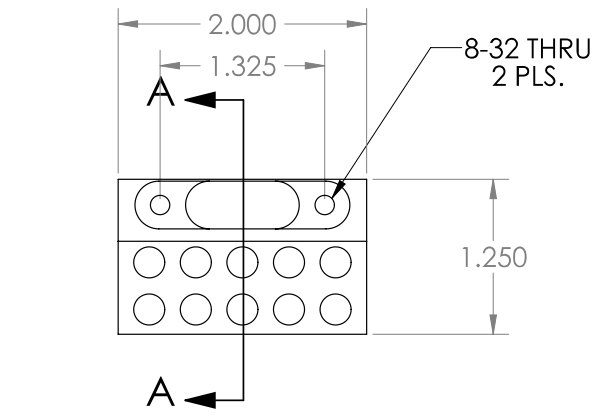


THIS DOCUMENT CONTAINS CONFIDENTIAL PROPRIETARY INFORMATION. DO NOT DISCLOSE TO OR DUPLICATE FOR OTHERS EXCEPT AS AUTHORIZED BY PARASOL AVIATION LTD..

REVISIONS		
REV.	DESCRIPTION	DATE
0	ORIGINAL RELEASE	5-20-04
A	NAME CHANGE; WAS HB11001	9-20-05
B	MATERIAL CHANGE, WAS 2024-T351	1-10-09



INTERPRET DRAWING PER ANSI Y 14.5 - 1994	UNLESS OTHERWISE SPECIFIED: DIMENSIONS ARE IN INCHES	DO NOT SCALE DRAWING														
THIRD ANGLE PROJECTION	<p>TOLERANCES</p> <p>inch angle</p> <p>.XX = ±.015 X = ±.50°</p> <p>.XXX = ±.005</p>	APPROVALS	DATE													
		<table border="1"> <tr> <td>DRAWN</td> <td>R.LEE</td> <td>5-14-04</td> </tr> <tr> <td>DESIGNER</td> <td>W.LEE</td> <td>5-12-04</td> </tr> <tr> <td>ENG APPR.</td> <td>W.LEE</td> <td>5-16-04</td> </tr> <tr> <td>MFG APPR.</td> <td>AV</td> <td>5-20-04</td> </tr> <tr> <td>Q.A.</td> <td>---</td> <td>---</td> </tr> </table>	DRAWN	R.LEE	5-14-04	DESIGNER	W.LEE	5-12-04	ENG APPR.	W.LEE	5-16-04	MFG APPR.	AV	5-20-04	Q.A.	---
DRAWN	R.LEE	5-14-04														
DESIGNER	W.LEE	5-12-04														
ENG APPR.	W.LEE	5-16-04														
MFG APPR.	AV	5-20-04														
Q.A.	---	---														
MATERIAL	6061-T651 ALUM.	SIZE	B													
FINISH	---	DWG NO.	HB-102													
		SCALE														

Parasol Aviation Ltd.

10444 McVine Ave.
Sunland CA. 91040
818-352-3322 Phone
818-352-3085 Fax
www.parasolaviation.com
info@parasolaviation.com

SIZE B DWG NO. HB-102

SCALE SHEET 1 OF 1