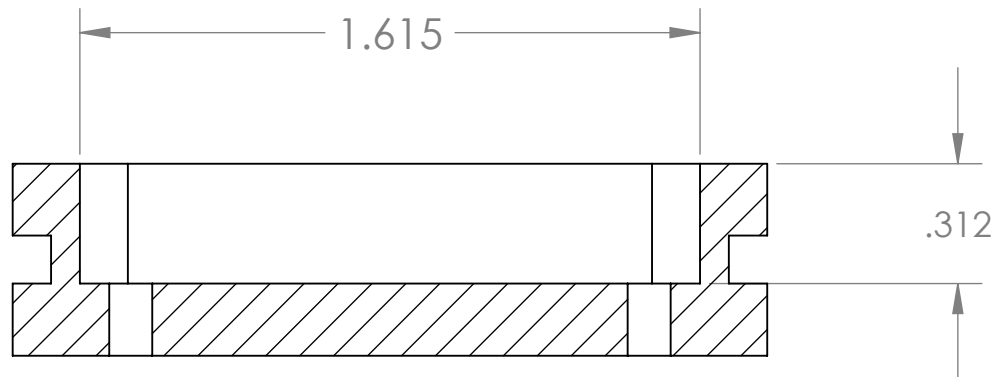
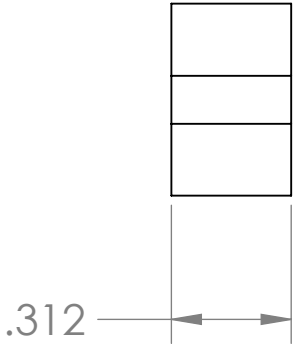
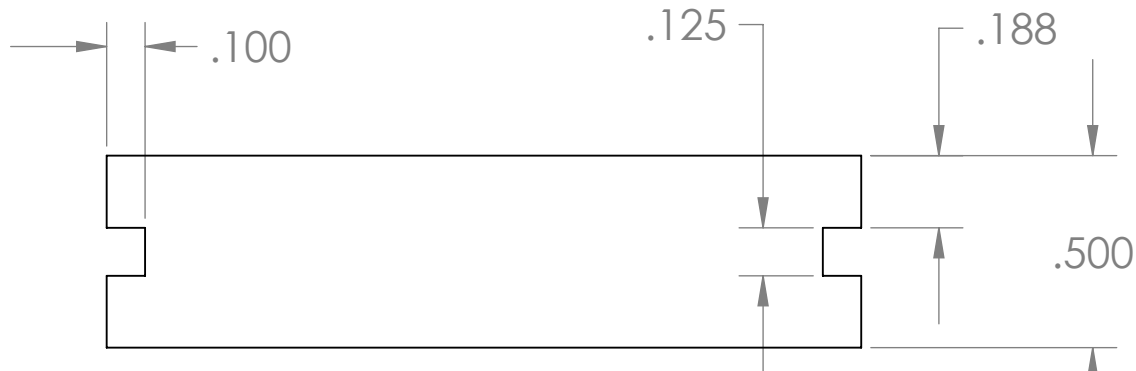
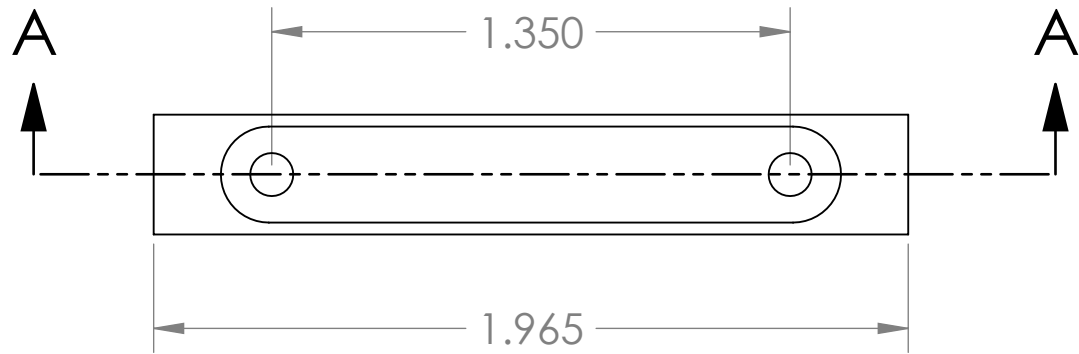
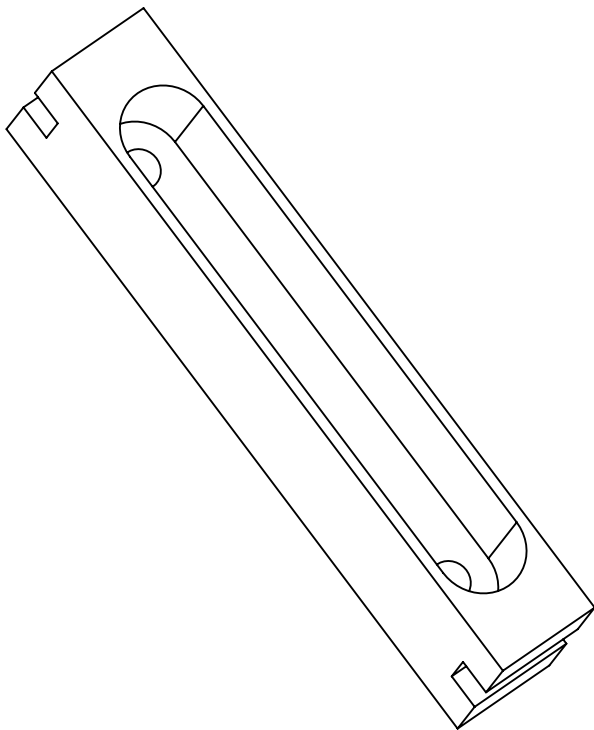


THIS DOCUMENT CONTAINS CONFIDENTIAL PROPRIETARY INFORMATION. DO NOT DISCLOSE TO OR DUPLICATE FOR OTHERS EXCEPT AS AUTHORIZED BY PARASOL AVIATION LTD..

REVISIONS		
REV.	DESCRIPTION	DATE
0	ORIGINAL RELEASE	1-10-04
A	NAME CHANGE; WAS RECTANGLE-0X	9-18-05
B	MATERIAL CHANGE, WAS 2024-T351	1-10-09



SECTION A-A
SCALE 2 : 1

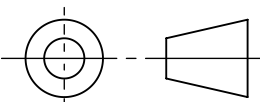


INTERPRET DRAWING PER
ANSI Y 14.5 - 1994

UNLESS OTHERWISE SPECIFIED:
DIMENSIONS ARE IN INCHES

DO NOT SCALE DRAWING

THIRD ANGLE PROJECTION



TOLERANCES
inch angle
.XX = ±.015 X = ± .50°
.XXX = ±.005

MATERIAL
6061-T651 ALUM.

FINISH ---

APPROVALS		DATE
DRAWN	R.LEE	1-2-04
DESIGNER	W.LEE	1-2-04
ENG.APPR.	W.LEE	1-5-04
MFG APPR.	AV	1-10-04
Q.A.	---	---

Parasol Aviation Ltd.

**10444 McVine Ave.
Sunland CA. 91040
818-352-3322 Phone
818-352-3085 Fax
www.parasolaviation.com
info@parasolaviation.com**

	SIZE B	DWG NO. HB-0X1	DWG REV. B
SCALE		SHEET 1 OF 1	